

4.5V-60V Vin, 0.6A, High Efficiency Step-down DCDC Converter

FEATURES

-
-

-
-
-
-
-
-
-
-
-
-
-
-
-
-
-

APPLICATIONS

-
-
-

REVISION HISTORY

DEVICE ORDER INFORMATION

RECOMMENDED OPERATING CONDITIONS

| | | | | |
|--|--|--|--|--|
| | | | | |
| | | | | |
| | | | | |
| | | | | |

ESD RATINGS

| | | | | |
|--|--|--|--|--|
| | | | | |
| | | | | |
| | | | | |

- (1)
- (2)

THERMAL INFORMATION

| | | | | |
|--|--|--|--|--|
| | | | | |
| | | | | |
| | | | | |

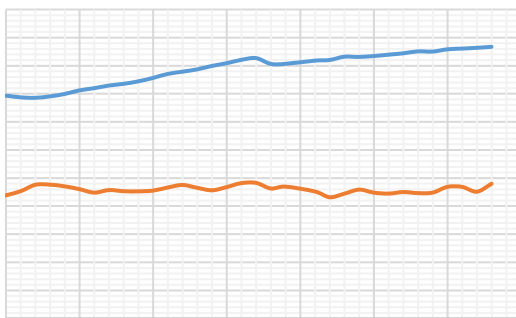
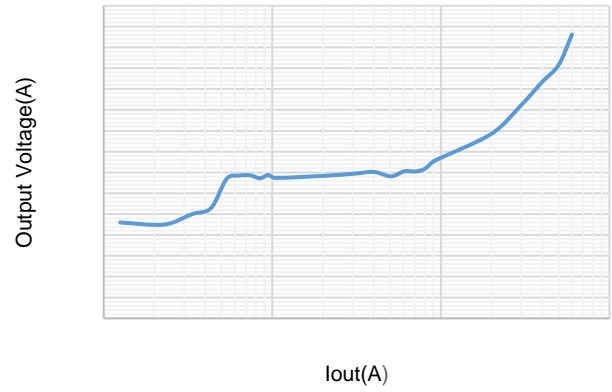
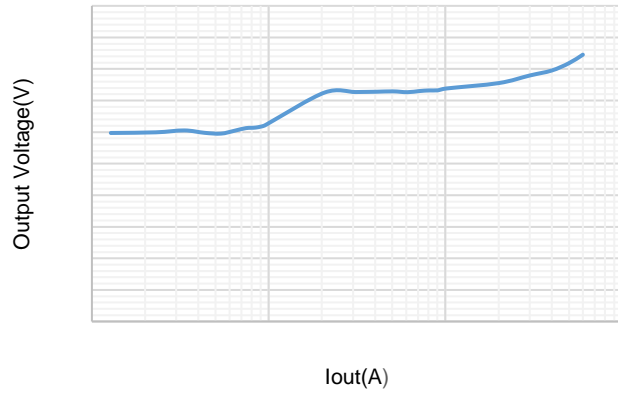
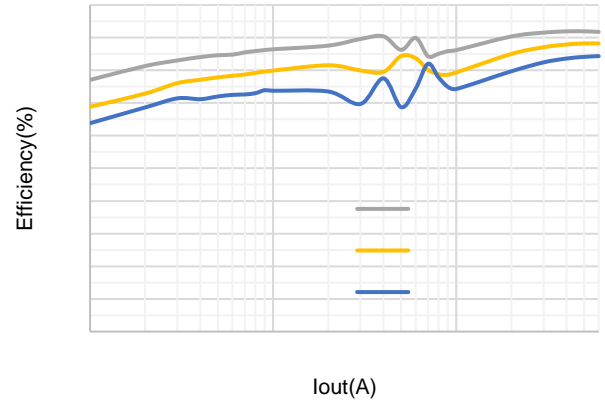
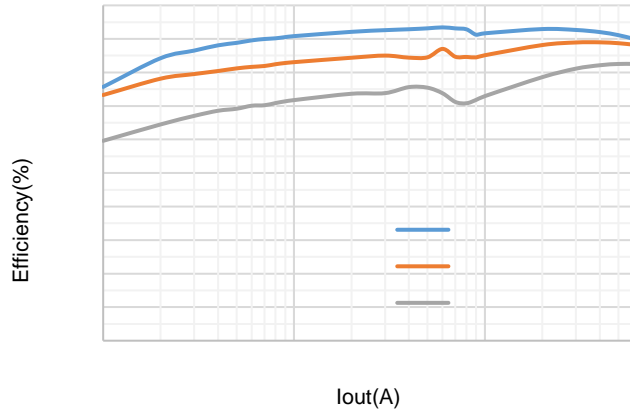
D Q2S

D

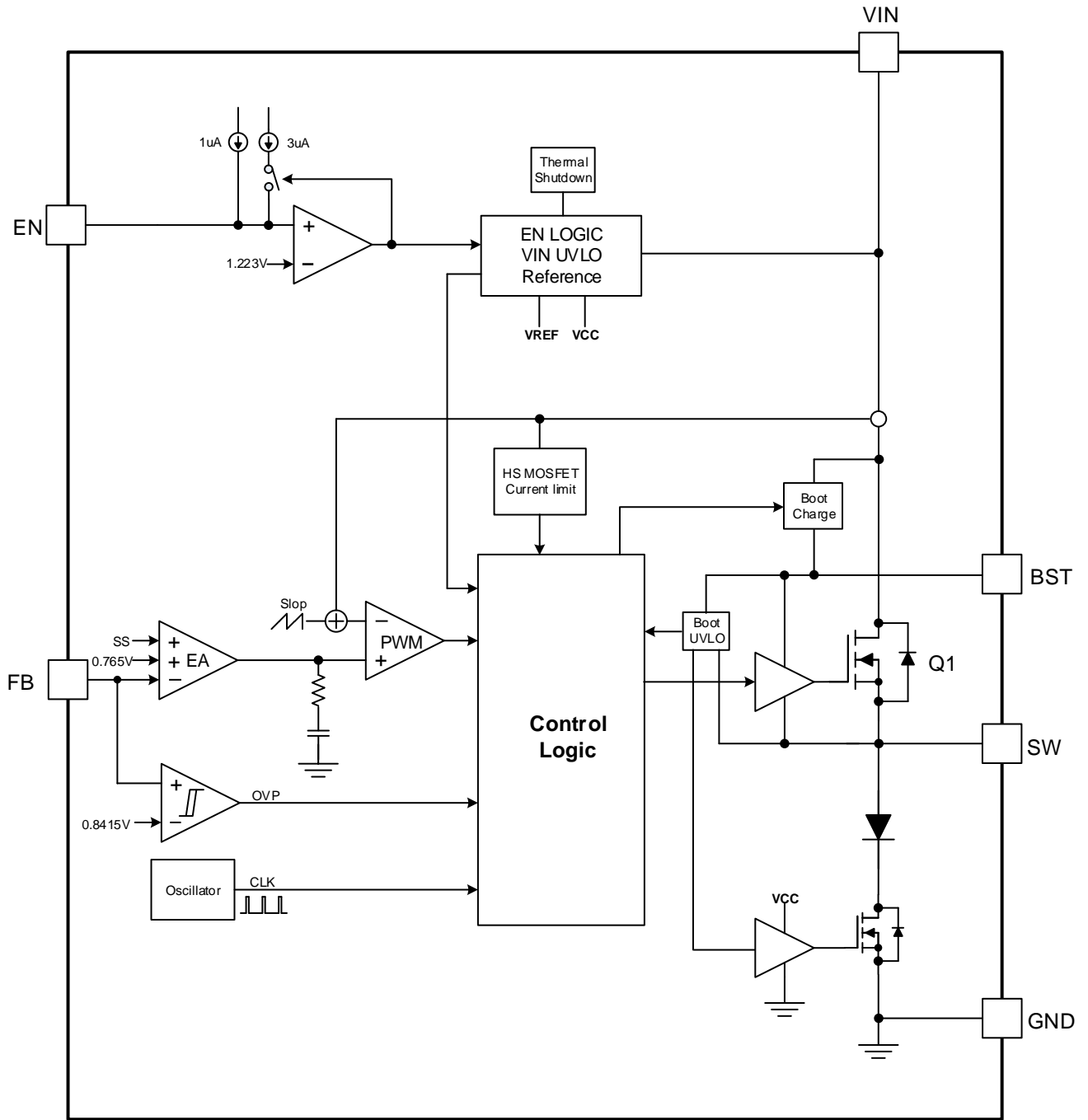
Q

ELECTRICAL CHARACTERISTICS

TYPICAL CHARACTERISTICS



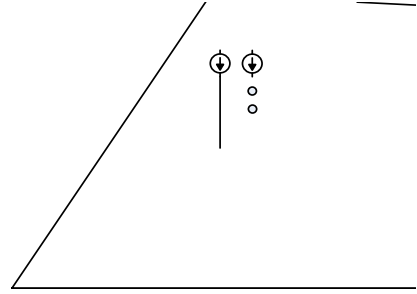
FUNCTIONAL BLOCK DIAGRAM



OPERATION



-
-



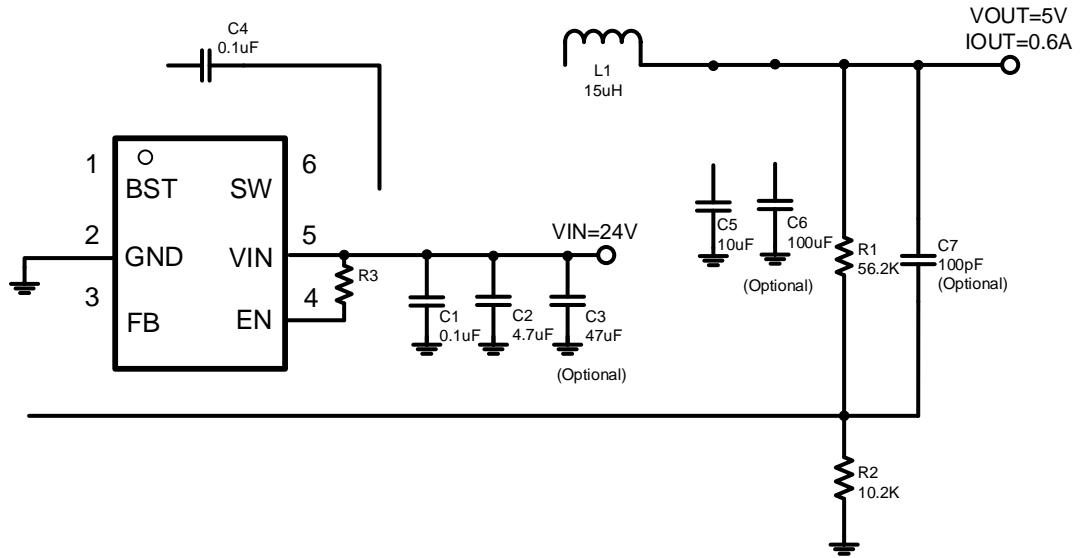
±2.5



-
-



APPLICATION INFORMATION



| | |
|--|--|
| | |
| | |
| | |
| | |
| | |
| | |
| | |
| | |
| | |
| | |
| | |
| | |
| | |
| | |
| | |



| | | |
|--|--|--|
| | | |
| | | |
| | | |
| | | |
| | | |
| | | |
| | | |
| | | |
| | | |
| | | |

—

•



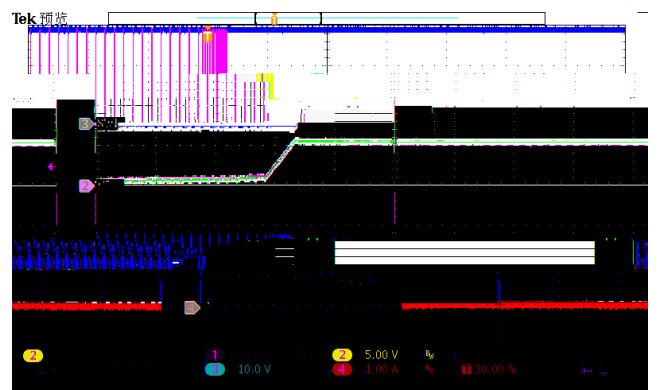
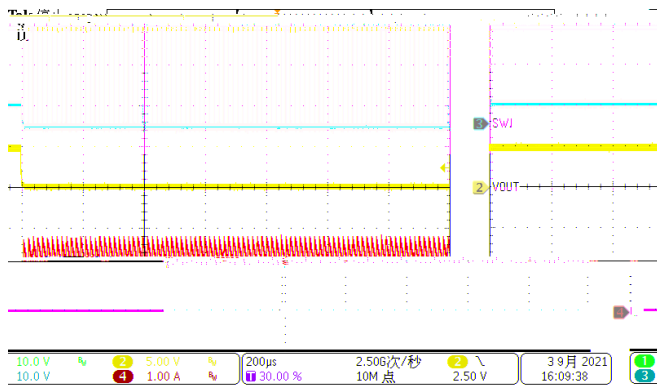
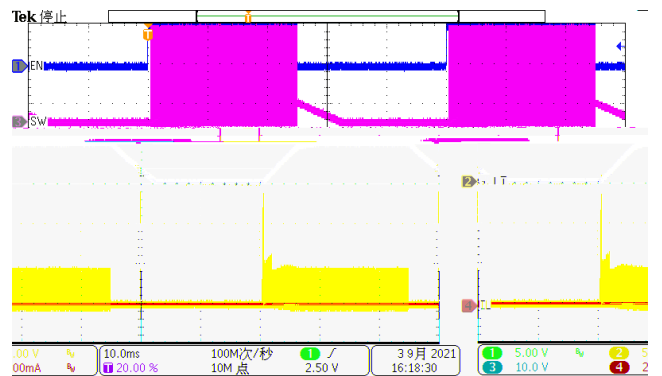
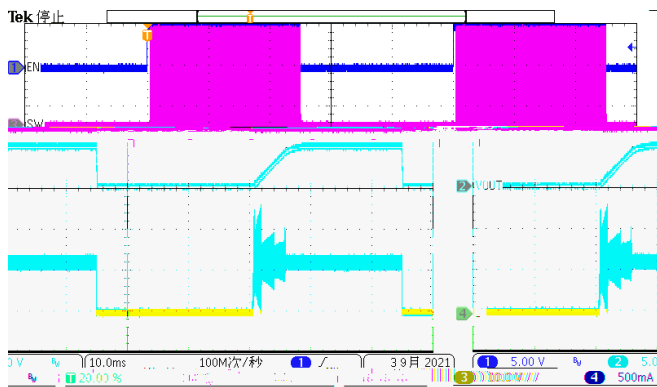
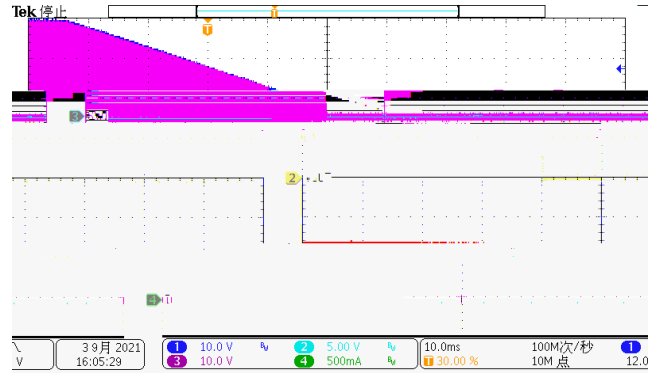
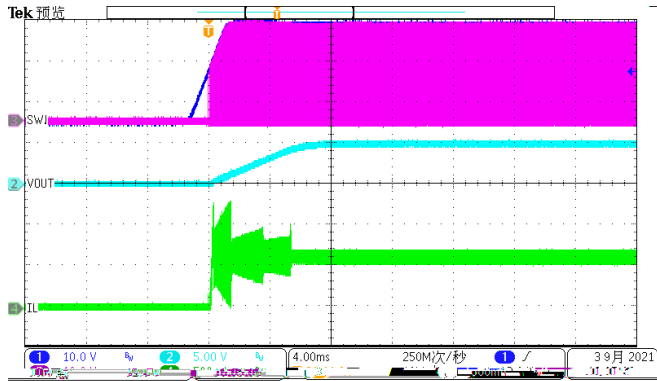


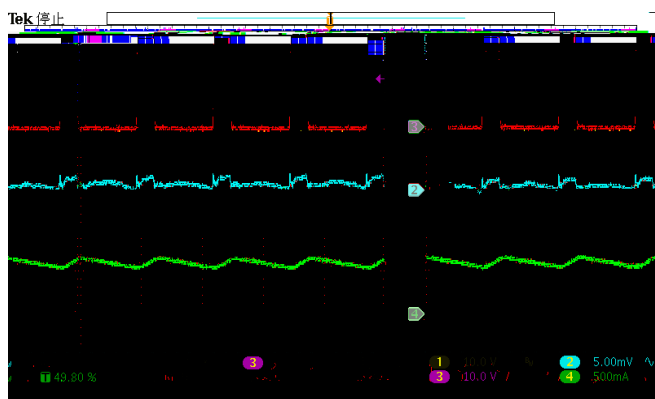
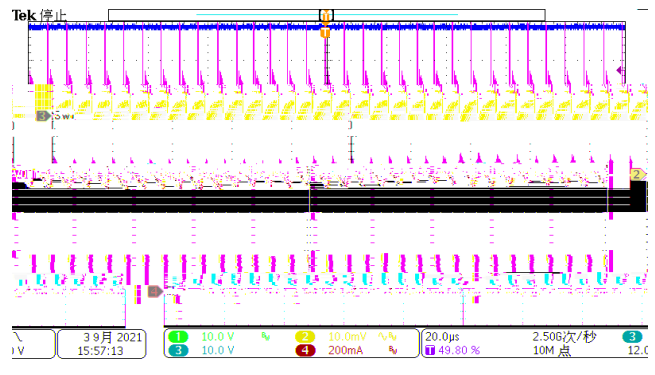
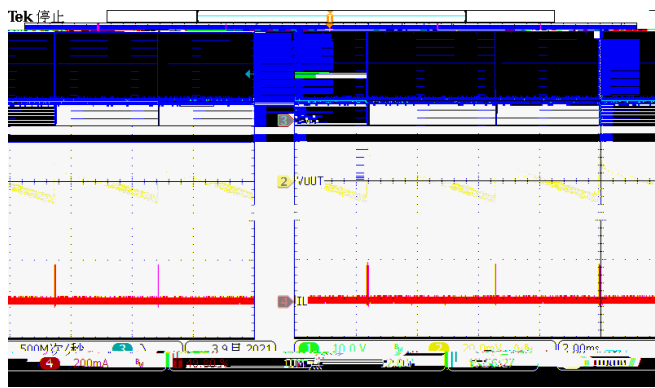
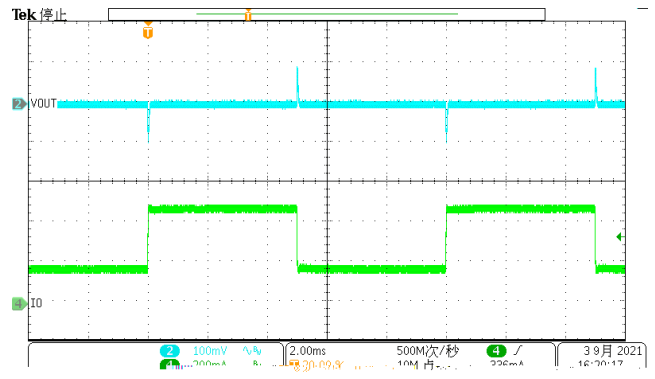
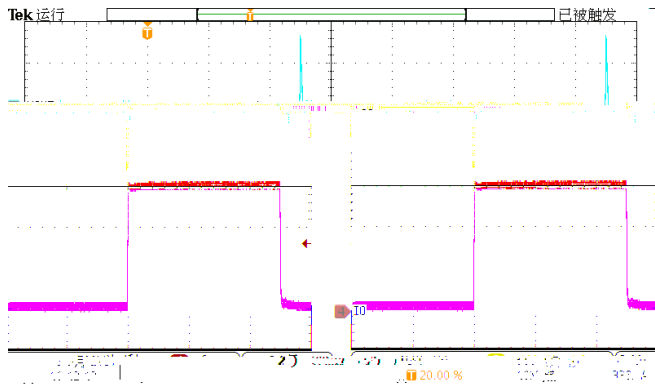
-
-
-
-
-
-



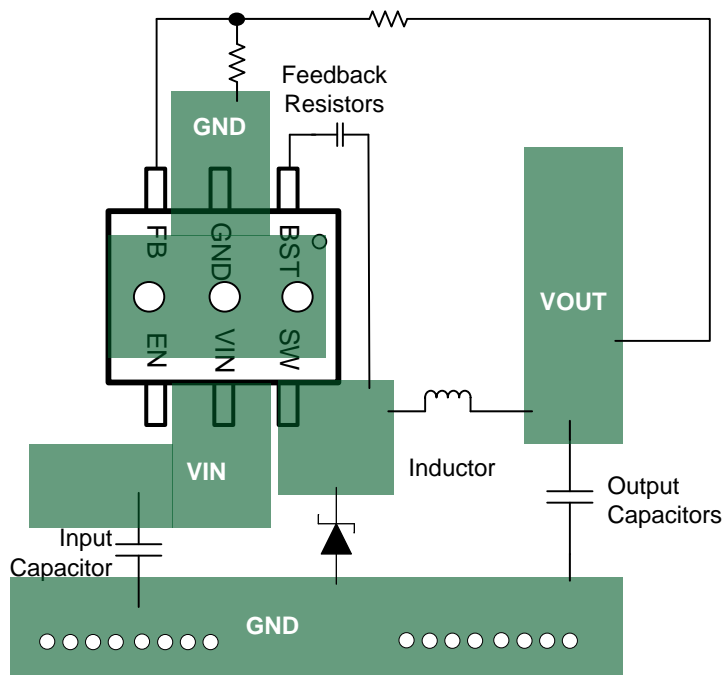
-
-
-
-
-
-

| | | | | |
|--|--|--|--|--|
| | | | | |
| | | | | |
| | | | | |
| | | | | |



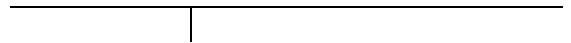
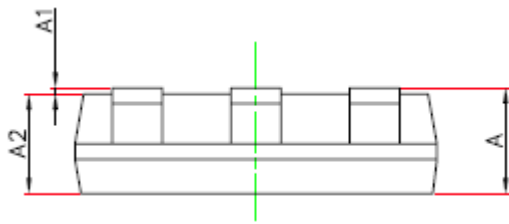
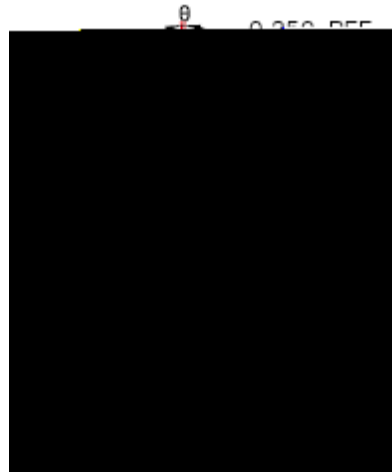
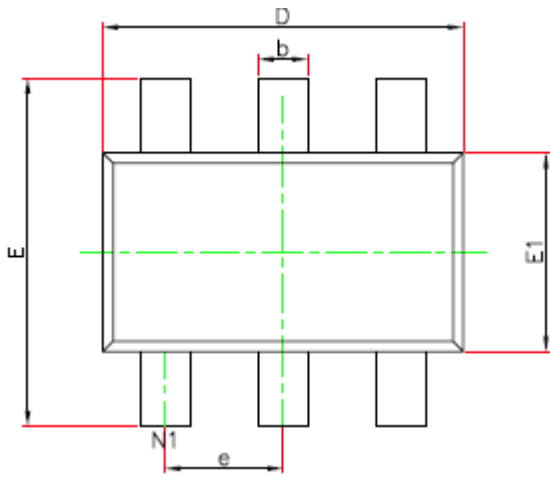


- 1.
- 2.
- 3.
- 4.
- 5.
- 6.



•
•

PACKAGE INFORMATION



- 1.
- 2.
- 3.
- 4.
- 5.
- 6.

TAPE AND REEL INFORMATION

