

/
&%d

PA

TION

DES

SW

GND

COMP

7

FB

8

P

(1)

(2) 8

&*%8

NAME

7

&&

)

88

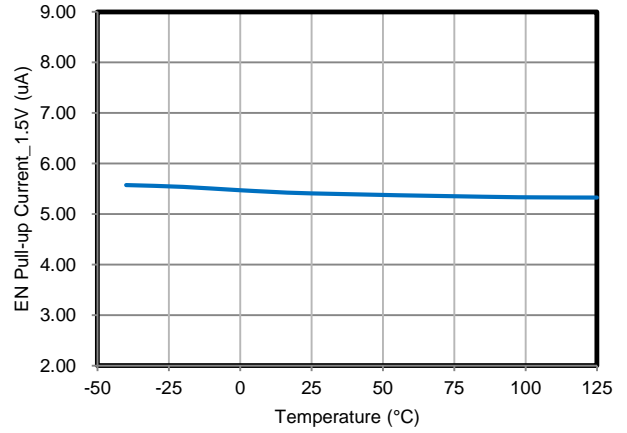
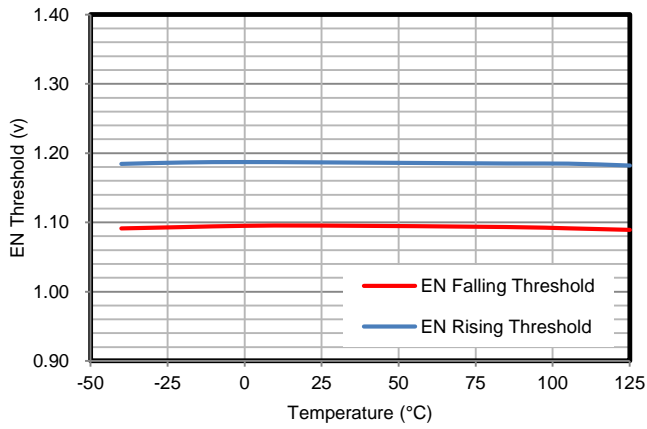
6

(6

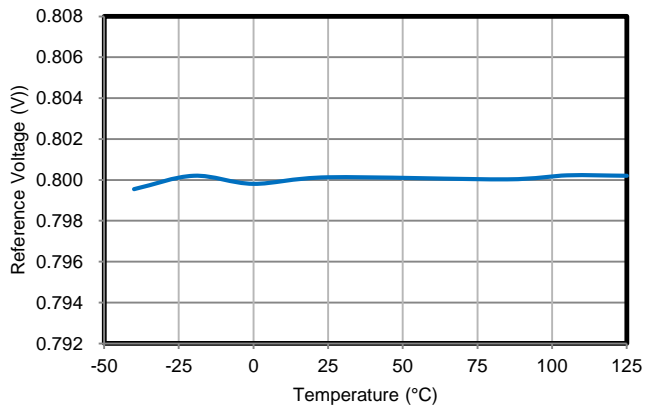
SCT2421

6		61 8 1 6 8 2&	(%%	
8 8	6	72 &8% 8 2&	(%	6
8	6	72		

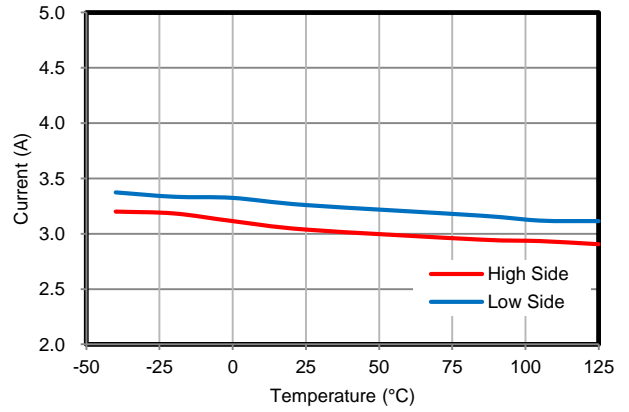
SCT2421



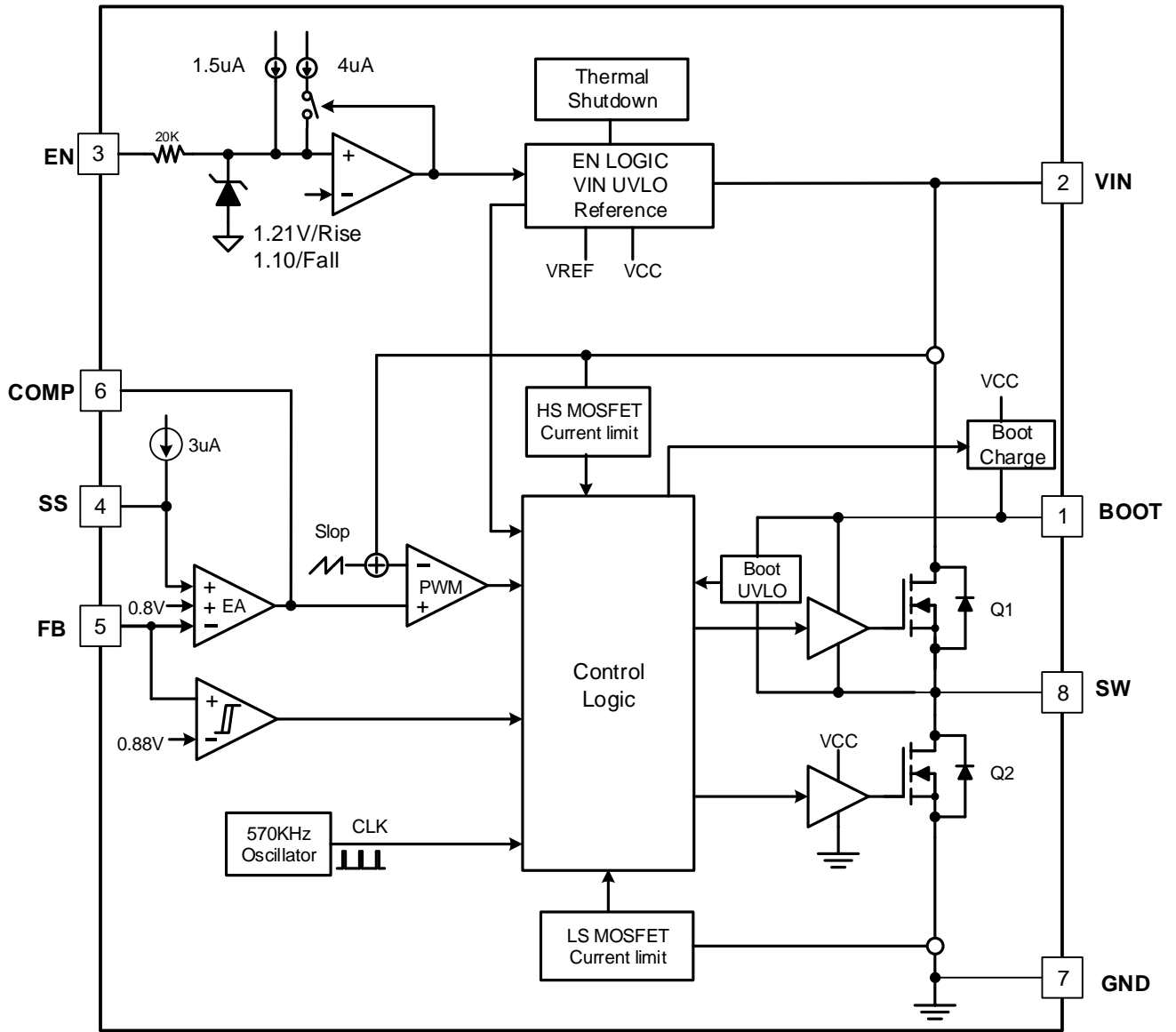
8



8%



8& 8



& 7

Overview

8) & (-)% 6 &+%
- %

8) & * , % * 6

8) & (*)%%

8) & 8 +

8) &

Peak Current Mode Control

8) & 6 & 8 8 7 %- 8

8) & *% 8 8 8 6 7 8 8 6

* 6

Enable and Under Voltage Lockout Threshold

8) & (* (&
& & & * 6 & * 6

SCT2421

Frequency Spread Spectrum

8) &

+

&* &

Bootstrap Voltage Regulator and Low Drop-out Operation

6

7

(* %

(* 7

8) &

7

7

7

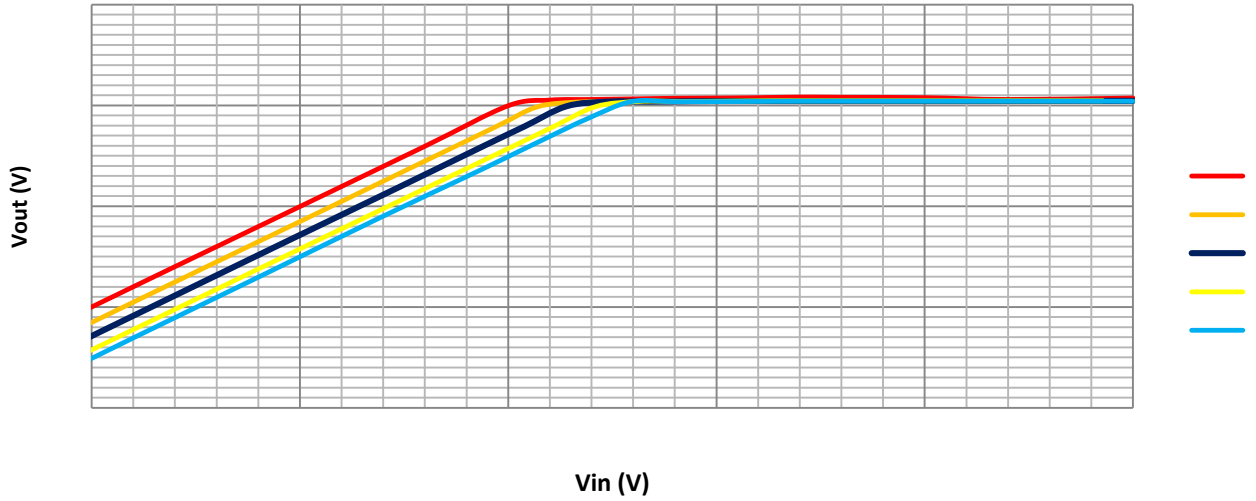
)

&%&

&%&

6

8) &



&

8

2*

&%

%&

8

8

6

/ 8) &

Typical Application

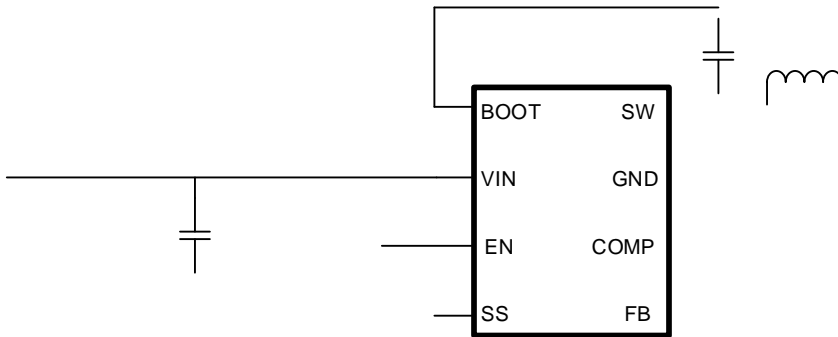


Figure 15. SCT2421 Design Example, 3.3V Output with Programmable UVLO

Design Parameters

Design Parameters	Example Value
) (-)%
	((
8	6
	*, %
	&t *
	*, +
) ++

Output Voltage

$$V_{OUT} = \frac{V_{REF} \left(1 + \frac{R_5}{R_6} \right)}{\left(1 + \frac{R_5}{R_6} \right)}$$

Table 1. R₅, R₆ Value for Common Output Voltage (Room Temperature)

V _{OUT}	R ₅	R ₆
0.8V	10kΩ	10kΩ
1.0V	10kΩ	15kΩ
1.2V	10kΩ	20kΩ
1.5V	10kΩ	30kΩ
1.8V	10kΩ	40kΩ
2.0V	10kΩ	50kΩ

Under Voltage Lock-Out

$$V_{UVLO} = V_{REF} \left(1 + \frac{R_5}{R_6} \right)$$

-
-
-
-
-
-

8

+

+

&%

&&

6

&%

&&

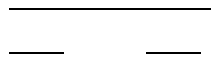
-
-
-
-

6

8

(6

0

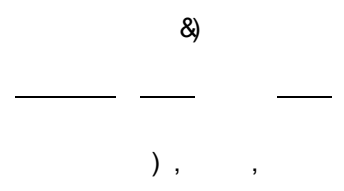


$$2 \quad /$$

&

&

8



&

*%

&

), ,

*%

6

%&

Bootstrap Capacitor Selection

6 %&

*

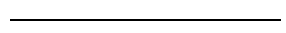
7

&%

6

Output Capacitor Selection

&*



&*

-
-
-
-
-
-

8

8

8

),

Compensation Components

8) &

)

&+

8,

8+

8

6



%&

8

8

6

&*

/ 8) &

				*
	8+	(8+	
+				
				+

Table 2: Compression Values for Typical Temperature/Pressure Conditions

SCT2421

Inverting Power application

8) &

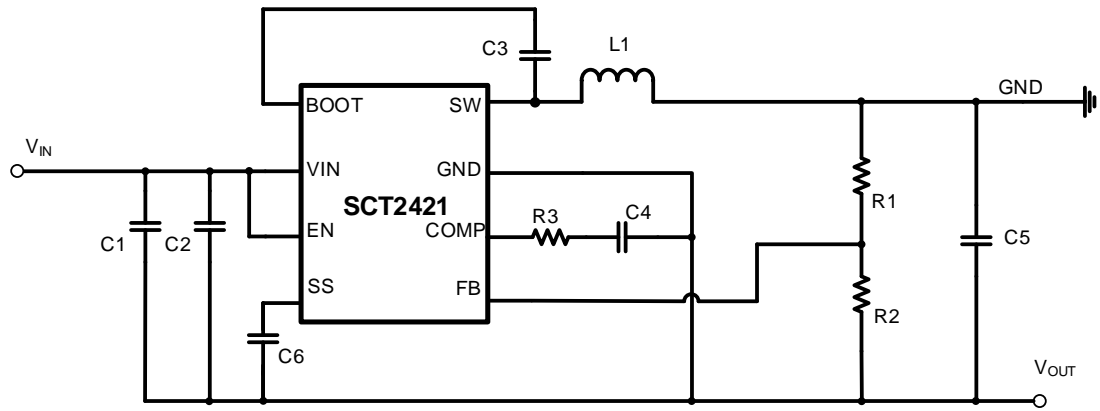
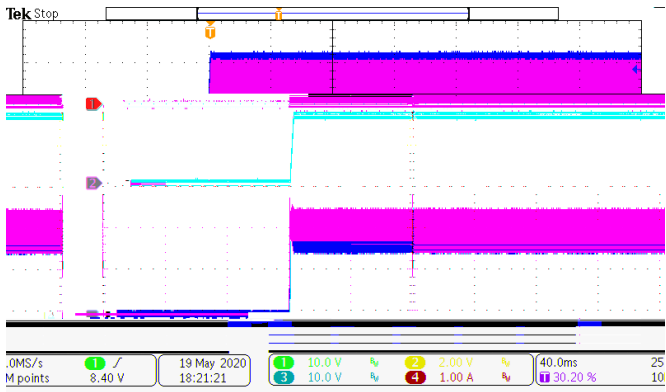


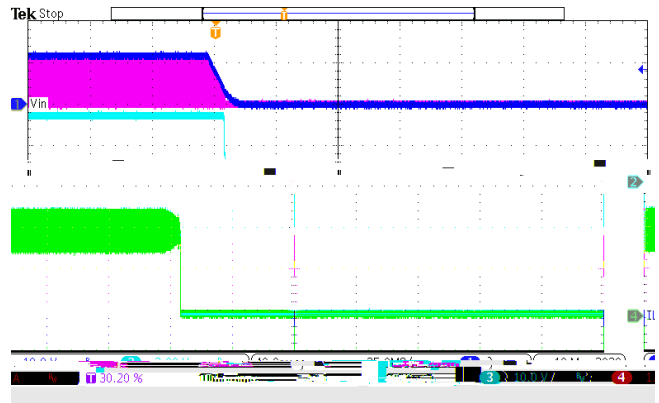
Figure 16. SCT2421 Inverting Power Supply

Application Waveforms

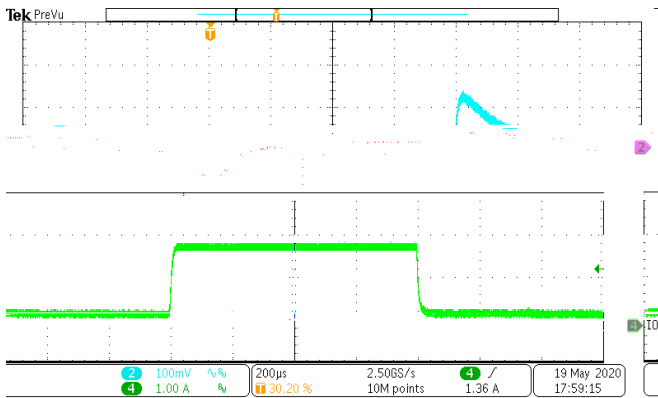
2& 2(2 6



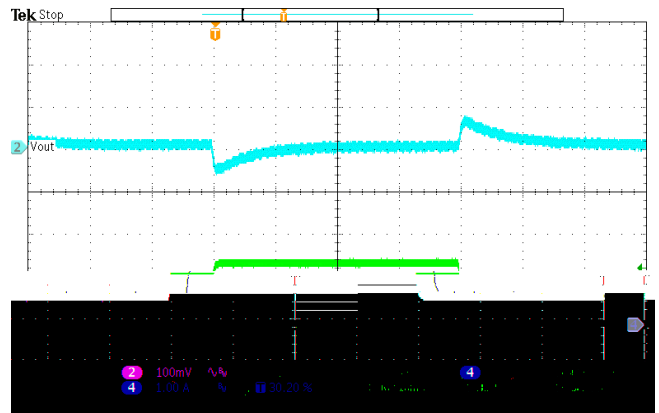
&



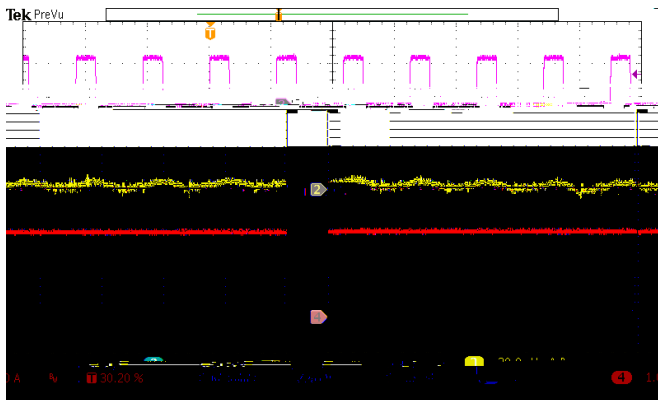
&



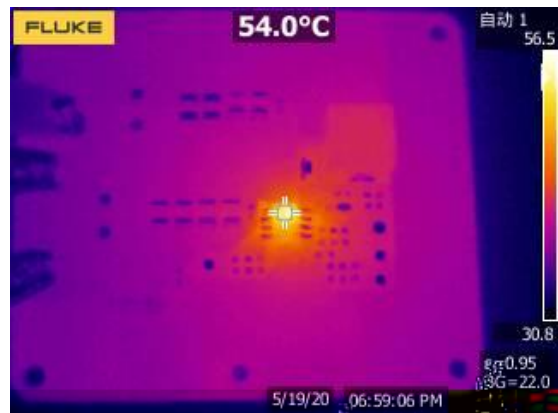
& % 6 &-6 &+6



% %+6 &)6 &+6



& 2 6

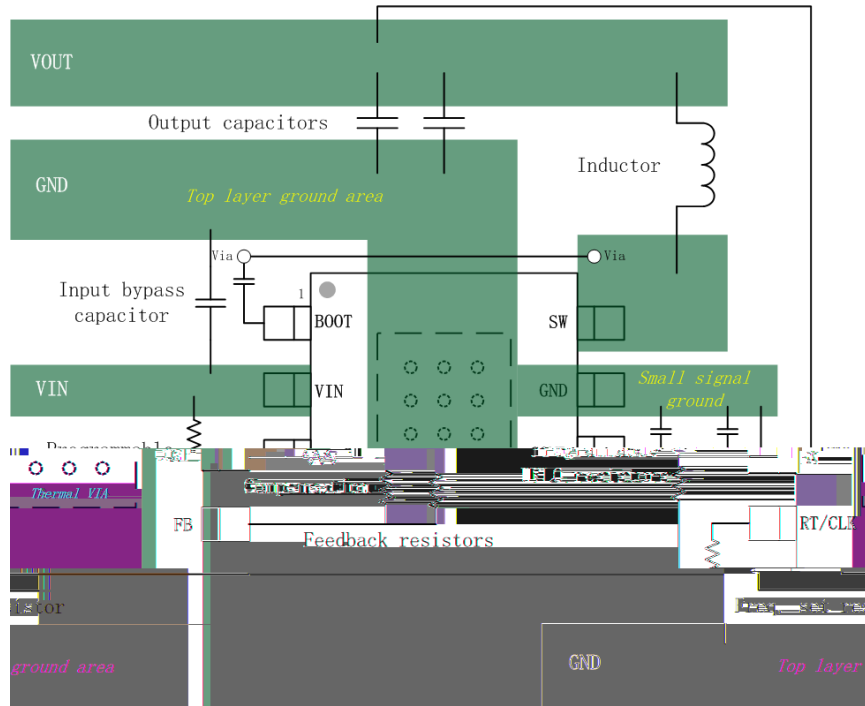


((6

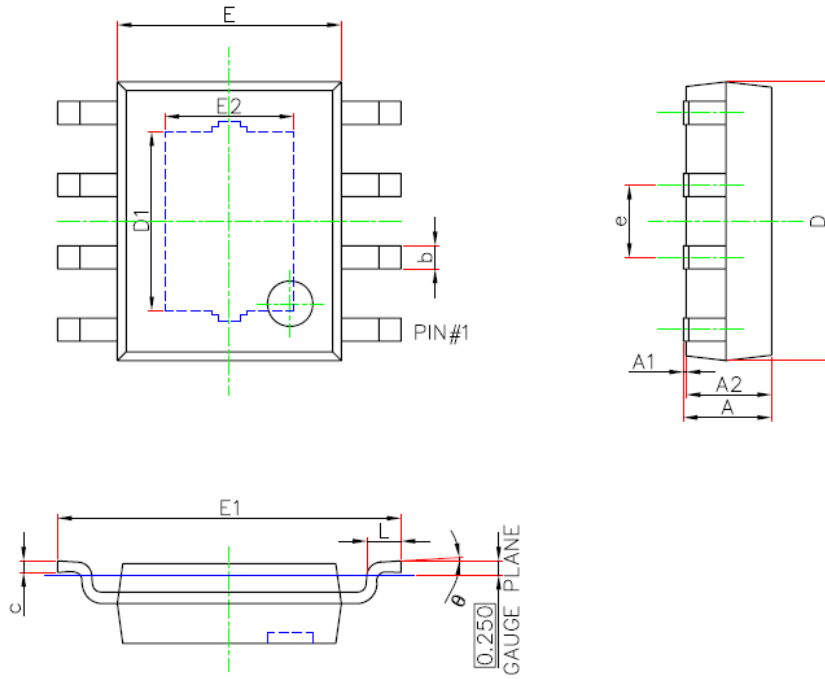
SCT2421

Layout Guideline

1. 87 8) & /
2. 87
- 3.
4. 87 8
5. 87
6. 8 8
- 7.
8. 7
- 9.



+ 87



- . * & %

6	&(%/%)	&, %/%)	%%& &	%/±,
6 &	%/%%/%)	%&%%/%)	%/%%/%)	%/%%/%)
6	&(*%)	&**%)	%%& (%/± &
	%((%	%* &%)	%/%%&	%% %
	%& %	% *%)	%/%%/%)	%/%%&%)
), %/%)	* &%%/%)	%&- *	% %&
&	(%/%)	(*%)	%& %	%& -
&	(- %/%)) %/%%/%)	%&* %	%&*,
	* - %/%)	+ %/%)	% -	%))
	&+%)	(+%)	%%& *	%%/ (
	&, %/7 8		%%& %/7 8	
	%) %/%)	&, %	%%/%%+	%%/%% %
θ	%	-	%	-

NOTE:

1. 8 %
- 2.
3. 6
- 4.
- 5.
6. 8 87

SCT2421

